

SPECIFICATIONS

Mechanical

Mating Force: 3.0kg (6.6Lb) min.
Unmating Force: 0.3kg (0.66Lb) min.
Durability : 5000 Cycles

Electrical

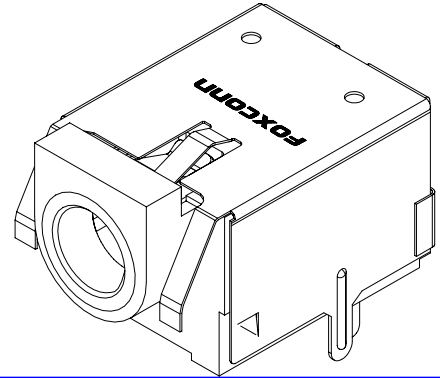
Voltage Rating: 150V max.
Current Rating: 1A max.
Contact Resistance: 50mΩ max.
Dielectric Withstanding Voltage: 500V
Insulation Resistance: 100MΩ

Physical

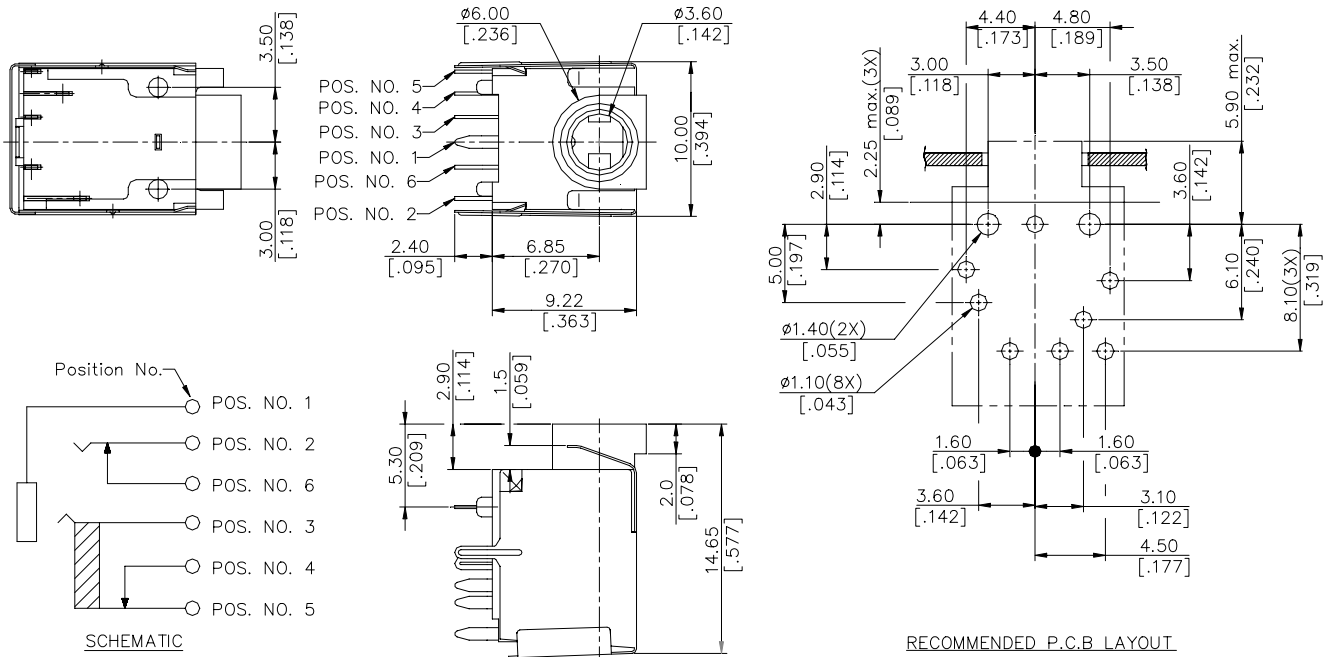
Housing: Thermoplastic, UL 94V-0
Contact: Copper alloy
Plating: See "ORDERING INFORMATION"
Metal Spring: Copper alloy
Operating Temperature: -40 to +85

AUDIO JACK Connector

JA Series
T/H Type
3 Bands
Plug ⌀3.5mm
6 Pos.



DRAWING



ORDERING INFORMATION

PRODUCT NO.: JA9033L-W*1S1-TR

Series Prefix J=Jack	Conn. Series A=Audio Jack	Body&Termination Type 9=Single Port, Special Body High	Sleeve Style 0=W/ Bushing	Plug Type 3=3 Band	Plug Diameter 3=3.50 (0.141")	Contact Area Plating L=Pd/Ni + Gold Flash	W=High temperature Plastic	Packing Code TR=Tape Reel	Tail Length 1=2.40mm	W/ Shell	Schematic	Color B=Light Blue L=Lime P=Pink
-------------------------	------------------------------	---	------------------------------	-----------------------	----------------------------------	--	----------------------------	------------------------------	-------------------------	----------	-----------	---

JA9033L-WL1S1-TR	LIME 577C
JA9033L-WB1S1-TR	LIGHT BLUE 284C
P/N	COLOR